

SGG **CONTOUR<sup>®</sup>**

*Curved architectural glass*

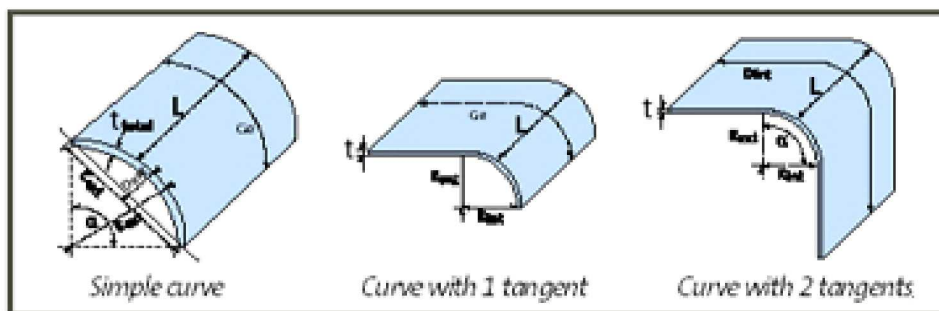
Technical Sheet  
United Kingdom

# SGG CONTOUR®

## *Curved architectural glass*

### Description

SGG CONTOUR curved glass is produced in a horizontal mould. The glass is gradually heated to approximately 600°C, at which point the glass softens and takes the shape of the mould in order to obtain the desired bending radius. SGG CONTOUR is the annealed glass version and SGG CONTOUR SECURIT is the toughened glass version.



### Applications

Curved glass can be used for internal and external applications:

- glazed partitions
- shower screens
- furniture
- revolving doors
- counter tops
- lifts
- guarding and balustrades
- street furniture
- glazing in façades
- commercial frontages
- atriums, canopies.

Curved glass is available annealed, toughened or laminated or can be assembled into double-glazing units, depending on the requirements of each application.

### Advantages

#### **Architectural glass**

In external applications, the curves of the curved glass can be used to create audacious shapes: angled façades, overhead glazing, revolving doors, shop windows, etc.

For interiors, it differentiates various applications: partitions, stair guarding, lifts, furniture, etc.

#### **Design and customisation**

SGG CONTOUR / SGG CONTOUR SECURIT can be screen-printed for customisation and vision control.

## Range

SGG CONTOUR / SGG CONTOUR SECURIT can be produced using:

- SGG PLANILUX clear glass
- SGG DIAMANT extra clear glass
- SGG PARSOL body-tinted glass
- textured glass from the SGG MASTERGLASS range and some patterns from the SGG DECORGLASS range,
- SGG COOL-LITE ST and SGG ANTELIO solar control glass.
- SGG EMALIT
- SGG SERALIT
- SGG SATINOVO

### Manufacturing possibilities

Manufacturing possibilities			SGG CONTOUR		SGG CONTOUR SECURIT
			Single or double-glazed	Laminated	Single
Thickness of the	e		3 to 12 mm	7 to 25 mm(1)	6 to 19 mm
Length	L	Max	3000 mm	3000 mm	3650 mm
		Min	250 mm	250 mm	325 mm
Girth	Dext	Max	2800 mm (2)	1800 mm	2130 mm
		Min	250 mm	250 mm	220 mm
External radius			300 mm	300 mm	6 à 10: 500 mm 12 mm: 750 mm 15 mm: 1000 mm 19 mm: 1500 mm
Overall depth or drop	Fext	Max	500 mm	500 mm	500 mm
Angle	a	Min	-	-	90°
Edgeworking			arrissed, ground or polished	arrissed, ground or polished	6 and 8 mm : ground

(1) Total thickness of the laminated glass

(2) Different thicknesses available upon request

### Manufacturing Tolerances

Manufacturing Tolerance			
	SGG	SGG CONTOUR SECURIT	
Length	L	< 1,50 m : +/- 2 mm/m (1) > 1,50 m : 3 mm/m	
Girth	G	< 1,50 m : +/- 2 mm/m (1) > 1,50 m : 3 mm/m	6 à 12 mm : +/- 3 mm/m 15 mm : +/- 4 mm/m 19 mm : +/- 5 mm/m
Chord and depth	C and D	+/- 3 mm	-
Edge straightness		+/- 3 mm/m	
Warping		+/- 5mm/m (2)	

(1) Minimum 2 mm

(2) The tolerance on warping is measured in relation to a flat surface

---

## Performance

The spectrophotometric performance of SGG CONTOUR / SGG CONTOUR SECURIT is identical to float glass of the same composition and thickness.

## Processed Product Variations

SGG CONTOUR / SGG CONTOUR SECURIT can be:

- laminated
- SGG CONTOUR: using all types of PVB (PVB, PVB(A), PVB from the SGG STADIP COLOR range etc.)
- SGG CONTOUR SECURIT: only with resin
- assembled into double-glazed units
- edge-worked, drilled and notched (only before curving)
- sandblasted and acid etched
- screen-printed (only before curving).

Caution: only SGG CONTOUR SECURIT will be a toughened screen-printed glass.

## Installation Guidelines

SGG CONTOUR / SGG CONTOUR SECURIT must be installed in strict accordance with the installation guidelines provided by our technical department. Amongst others, the width of the channels in the frame must be:

- at least twice the thickness of the glass
- or at least the same thickness as the glass, plus 10 mm, plus the thickness that is needed to produce a peripheral seal (performed or filled with silicone).

SGG CONTOUR / SGG CONTOUR SECURIT should always be installed in accordance with current national regulations. As a general rule, SGG CONTOUR is installed in accordance with the installation instructions for SGG SECURIT toughened glass.



*Meridien Hotel, Nice, France*

## Standards and Regulations

SGG CONTOUR glass is manufactured in accordance with standard BS EN 572.

SGG CONTOUR SECURIT toughened glass is manufactured in accordance with standard BS EN 12150 (BS EN 12150 applies specifically to flat, toughened glass).