

SGG PRIVA-LITE®

*Electrically operated vision
control glass*

Technical Sheet
United Kingdom

SGG PRIVA-LITE®

Electrically operated vision control glass

Description

SGG PRIVA-LITE is a laminated glass containing a liquid crystal (LC) film assembled between at least two plastic interlayers. The liquid crystals align when the electrical current (100 VAC) is switched on, causing the glass to turn transparent instantly. When the power is switched off, the glass has a naturally opaque appearance, blocking vision (total privacy), yet permitting light to pass through (translucent).

Applications

- Interiors:
 - Partitions, doors and sliding doors, floor panels, counters, display cases, bank screens etc.
 - Back projection screens/multi-media walls.
- Exterior:
 - Windows, single or double glazed facades (please contact SAINT-GOBAIN GLASS for advice)
 - Opaque back projection screens/multi-media walls.

You can view some of our most prestigious projects by visiting www.sggprivalite.com



ON



OFF

Advantages

- Instant transparency or privacy at the flick of a switch.
- Laminated security glass (11 mm = P4A BS EN 356).
- Very low electrical consumption: 24 VA/m².
- Filters 99% of UV light.
- The light diffusing properties of the liquid crystals enable the glass to be used as a back projection screen.

Range

SGG PRIVA-LITE can be manufactured in single or double-glazing form with most glasses from the SAINT-GOBAIN GLASS range. SAINT-GOBAIN GLASS supplies the following:

- Glass:

Minimum thickness: 7 mm (33.2 or 6.4 mm)

Standard thickness: 11 mm (55.2 or 10.8mm on extra clear glass)

Maximum dimensions: 1000 x 3000 mm

Minimum dimensions: 305 x 405 mm

- Transformers for: 3.5 m², 10 m² and 20 m² areas (relays must be provided for the 20 m² size).

- Bayer Multisil silicone: this is the only silicone that can be used.

- Shielded cables: outer cross-section 2.8 mm².

- Shipping crate designed form road/air/sea transportation.

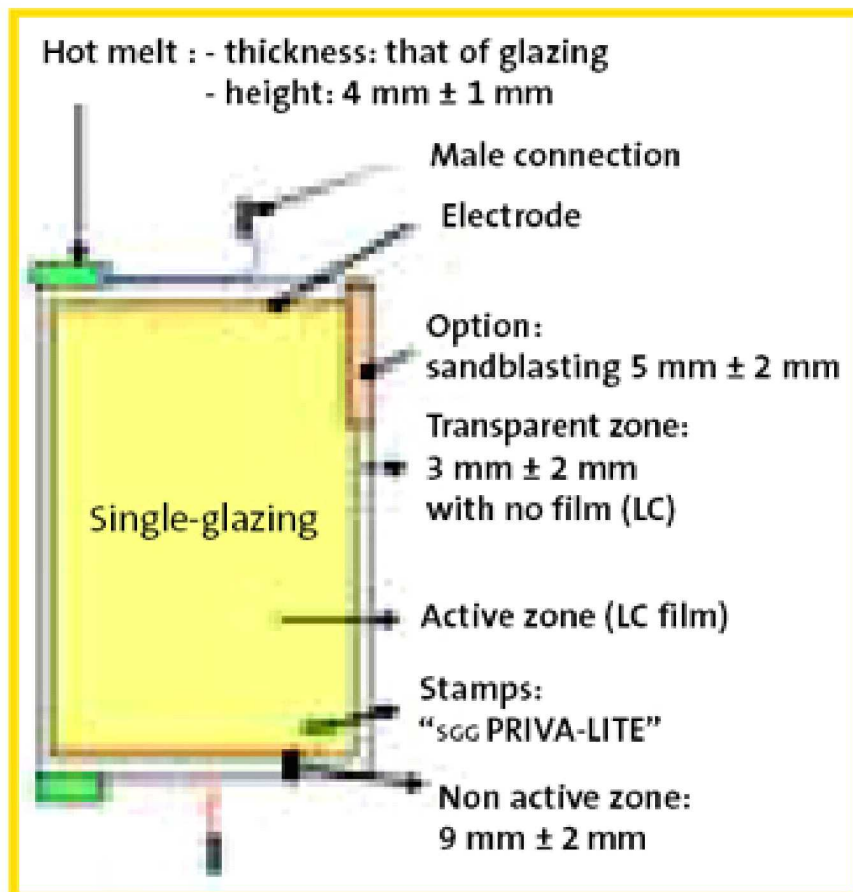
Performance

Light transmittance of SGG PRIVA-LITE 10.8 mm (extra clear):

- Transparent state: 77% (ON)

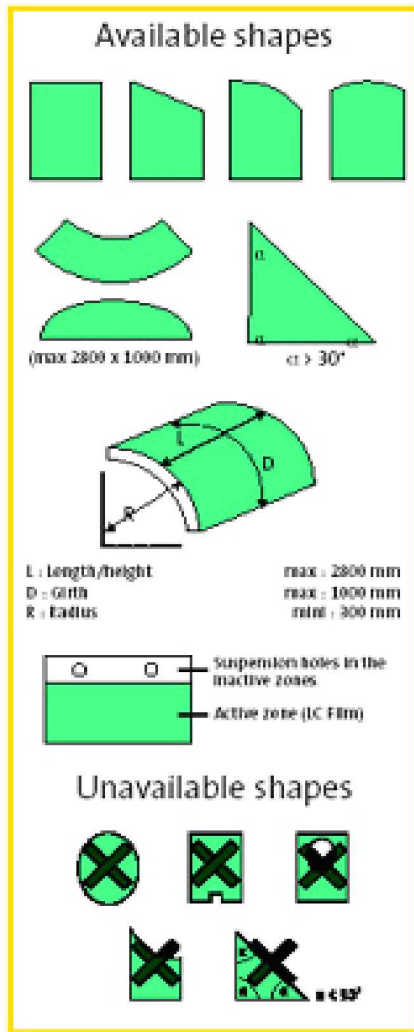
- Translucent state: 76% (OFF)

Processed Product Variations



Installation Guidelines

- SGG PRIVA-LITE must be glazed by recommended installers who have received specialist training.
- Installers must follow the SGG PRIVA-LITE assembly instructions strictly, in order to maintain the validity of the guarantee.
- Installers must use electricians for the 230 volt wiring.



Standards and Regulations

- The glass and its electrical installation principle have been tested in accordance with standards BS EN 550146-2 and BS EN 60335-1, and are certified.
 - Degree of protection of the transformer: IP 42.
 - Degree of protection of the glass: IP 43.
- Detailed information is available at www.sggprivalite.com

Distributor