

SGG VARIO®

*Double glazing system with
integral mechanical fixings*

Technical Sheet
United Kingdom

SGG VARIO®

Double glazing system with integral mechanical fixings

Description

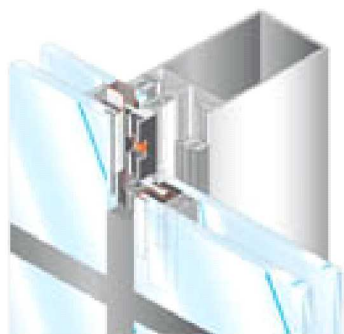
SGG VARIO is a patented double-glazed unit, which gives external facades an attractive, flush appearance.

Applications

- Curtain-walling facades
- Overhead glazing.

Advantages

The system produces a flush external appearance of the facade which is characteristic of exterior structural sealant glazing. SGG VARIO facade components are installed using mechanical fixings integrated in the spacer bar of the double-glazed units. The weight of the external pane is supported by a setting block at the bottom.



Range

Standard double-glazed unit SGG VARIO

- Outer pane: 8 mm SGG SECURIT toughened glass, polished edges
- Cavity: 16 mm air, black warm-edge spacer
- Inner pane: 6 mm SGG PLANITHERM TOTAL toughened glass. U-value of the double-glazed unit: 1.4 W/m²K.

Range .../...

Dimensions

- Fixed glazing: max. 1800 x 3600 mm (larger sizes up to 1800 x 4200 mm available on request).
- Opening vents:
 - max. 1750 x 1750 mm;
 - min. : 870 x 820 mm;
 - max. weight of the vent: 100 kg.

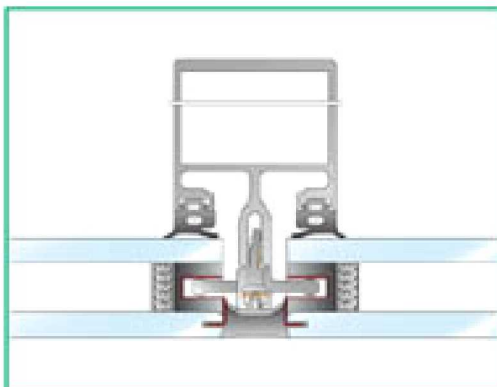
SGG VARIO can be combined with SGG CLIMAPLUS ACOUSTIC, SGG CLIMAPLUS SILENCE and SGG CLIMAPLUS SOLAR CONTROL glass.



*Douglas Perfume Shop, Linz, Austria
Architect : Riepl-Riepl*

Standards and Regulations

The sizes of the SGG VARIO components, their installation and the conditions of use of the product, must be technically assessed by SAINT-GOBAIN GLASS to ensure compliance with current national regulations and with our own standards, prior to installation.



Fixing details • Horizontal section



WEELAND ROAD - EGGBOROUGH GOOLE
EAST RIDING OF YORKSHIRE DN14 0FD

Email : glassinfo.uk@saint-gobain-glass.com
www.saint-gobain-glass.com

Distributor